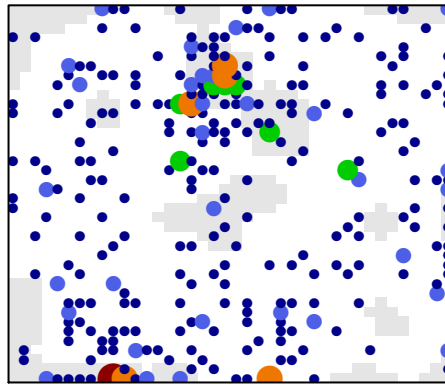
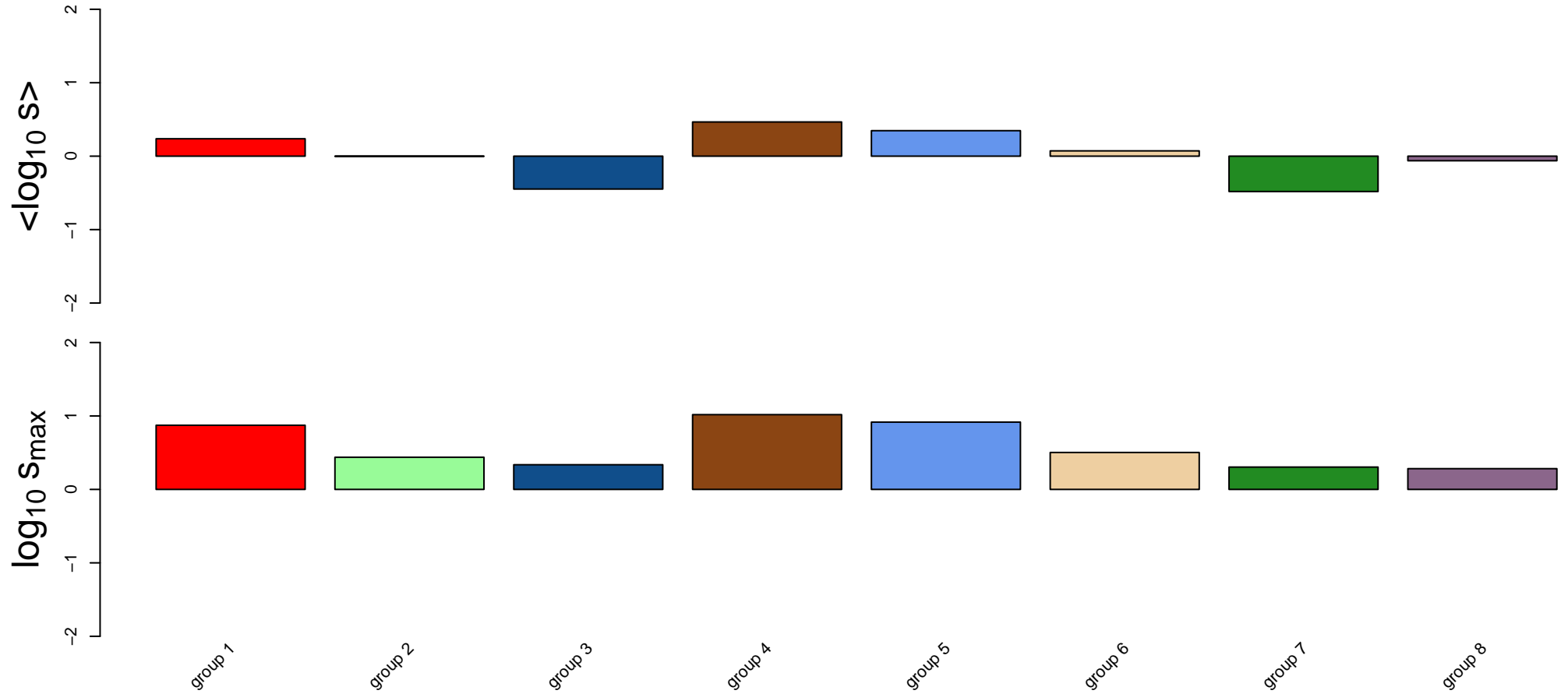
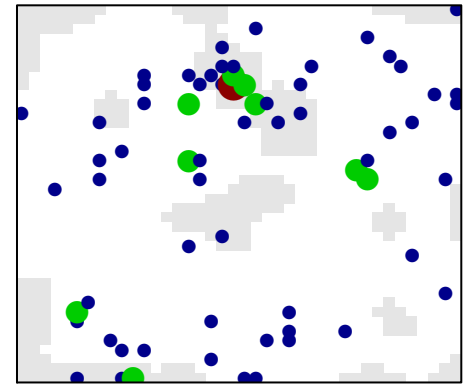


NOD-like receptor signaling pathway

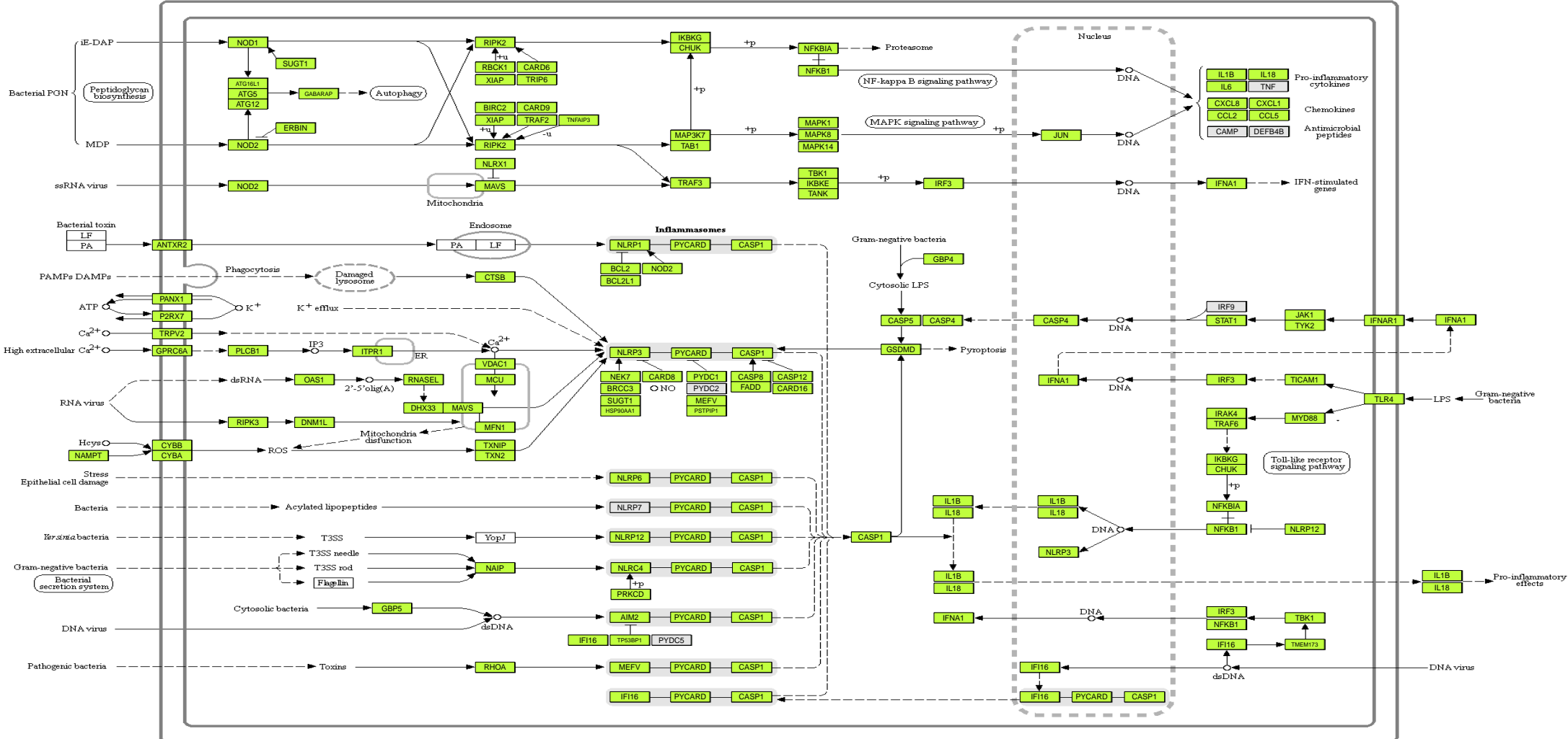
all genes



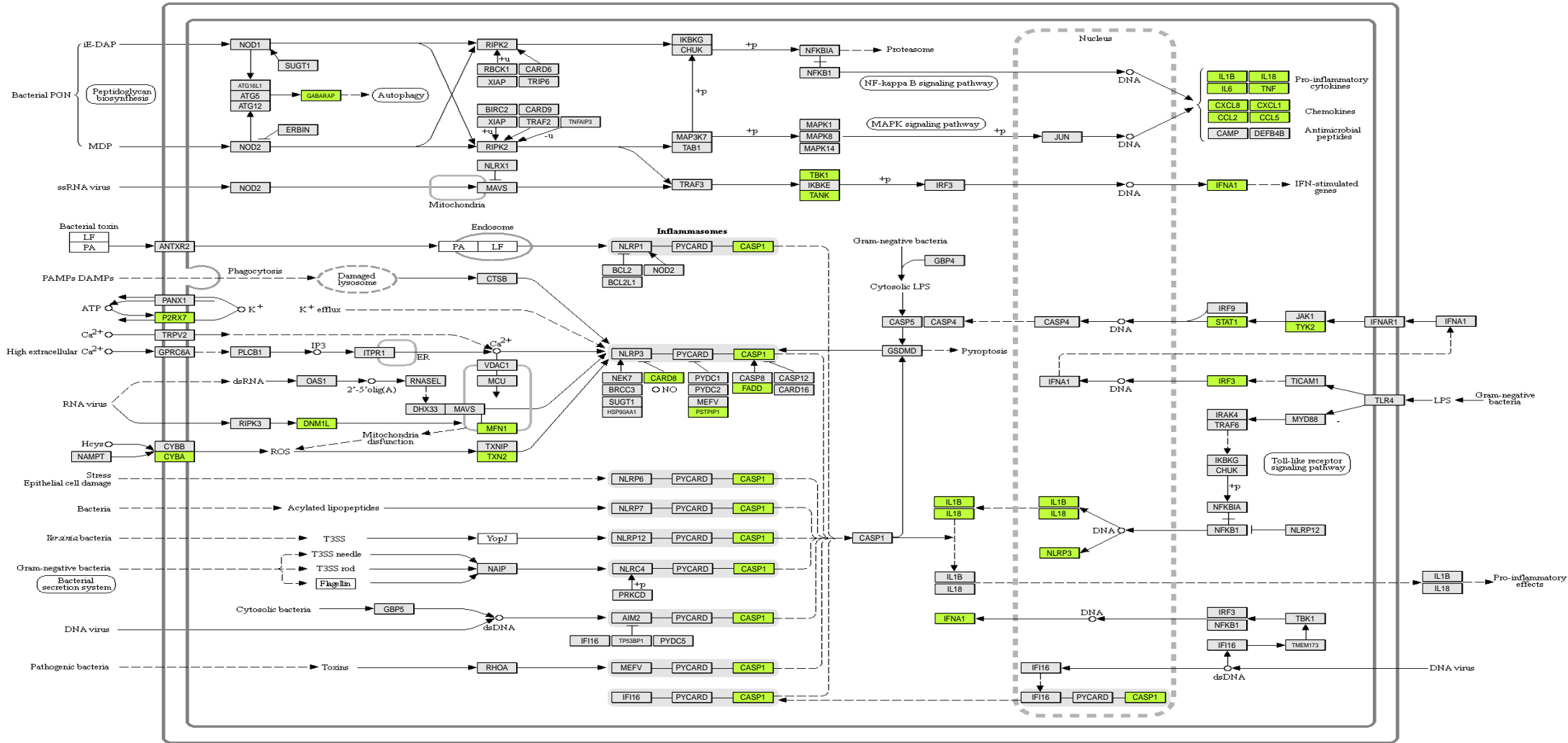
sink node genes



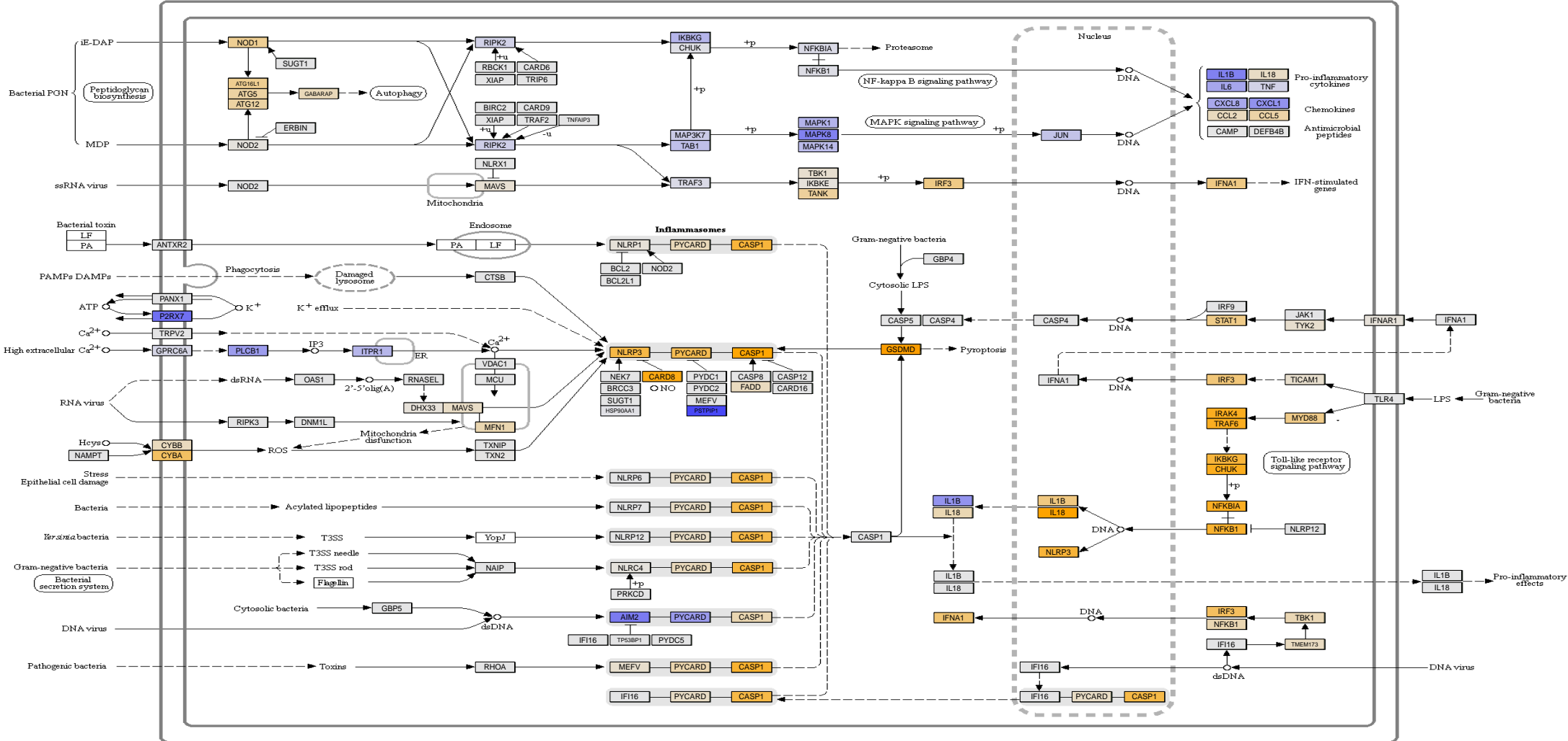
NOD_like_receptor_signaling_pathway
genes-with-data



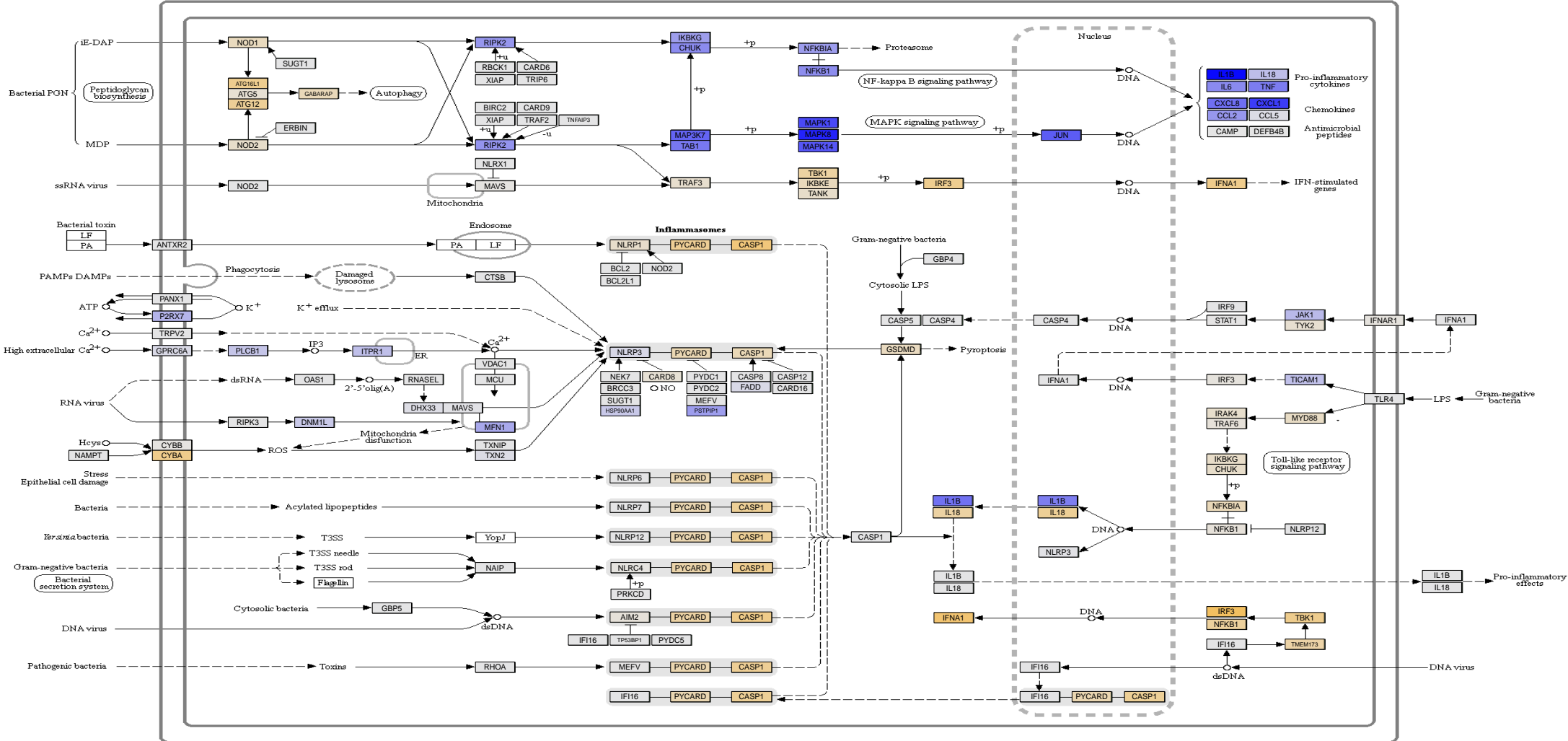
NOD_like_receptor_signaling_pathway
sink_nodes



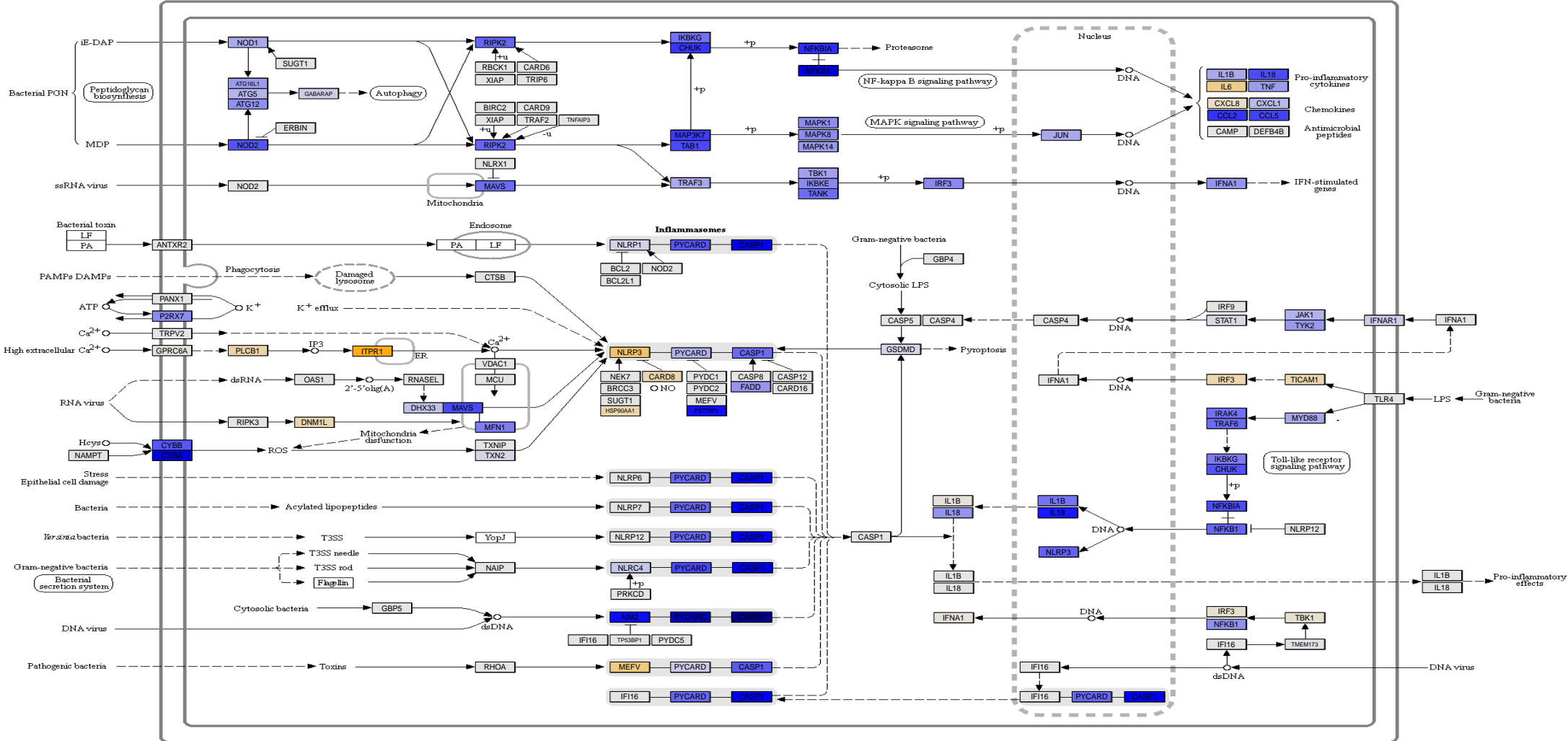
NOD_like_receptor_signaling_pathway_group_1



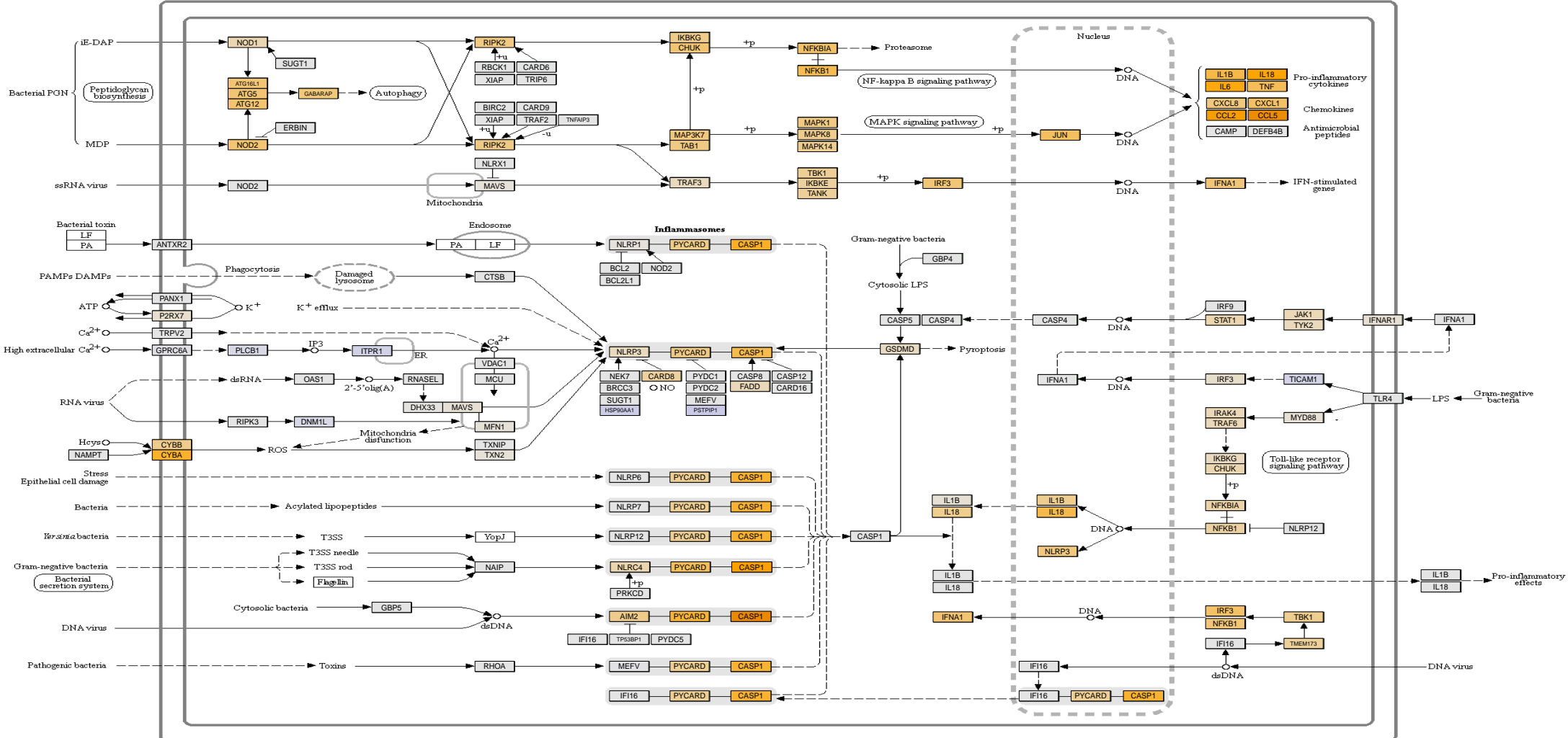
NOD_like_receptor_signaling_pathway_group 2



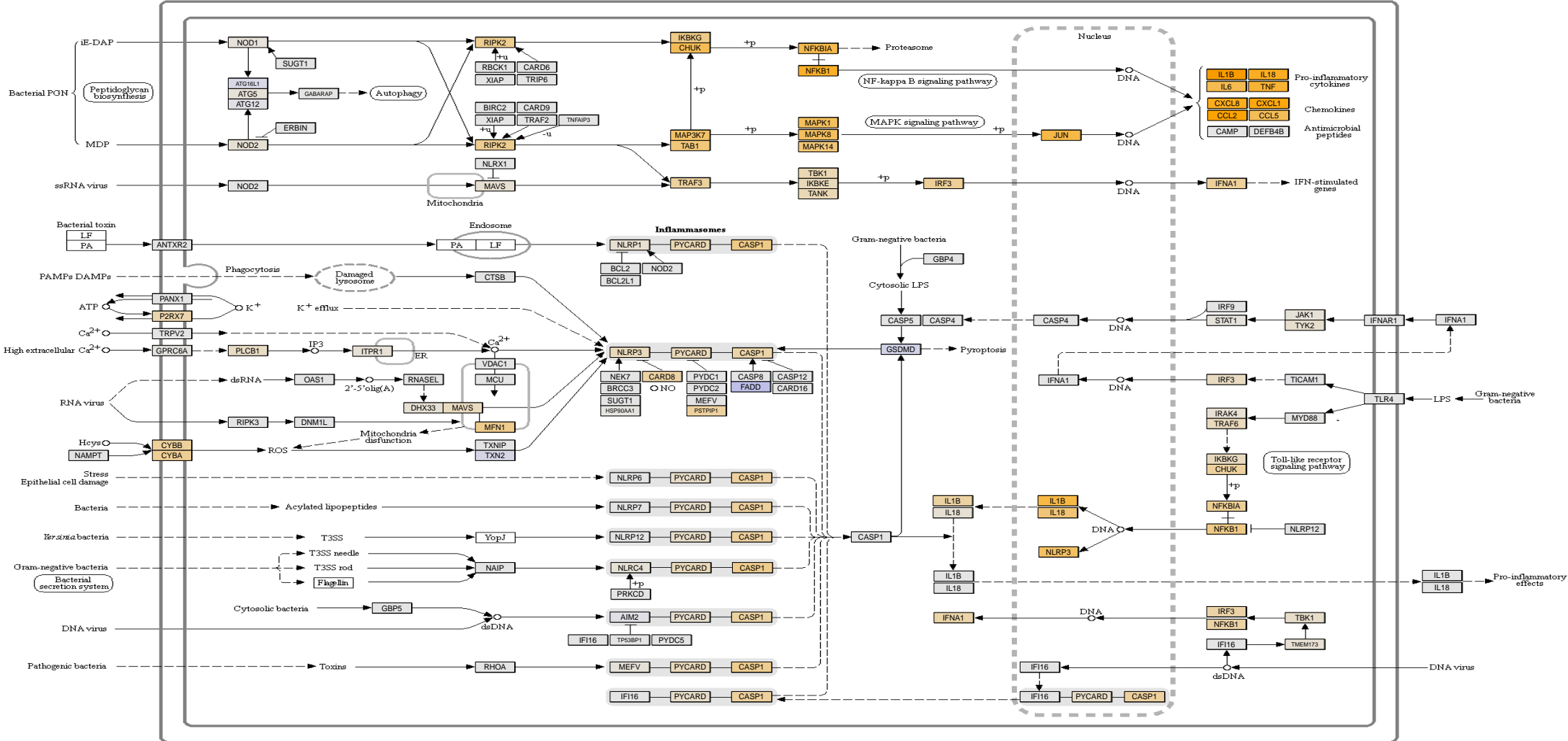
NOD_like_receptor_signaling_pathway_group 3



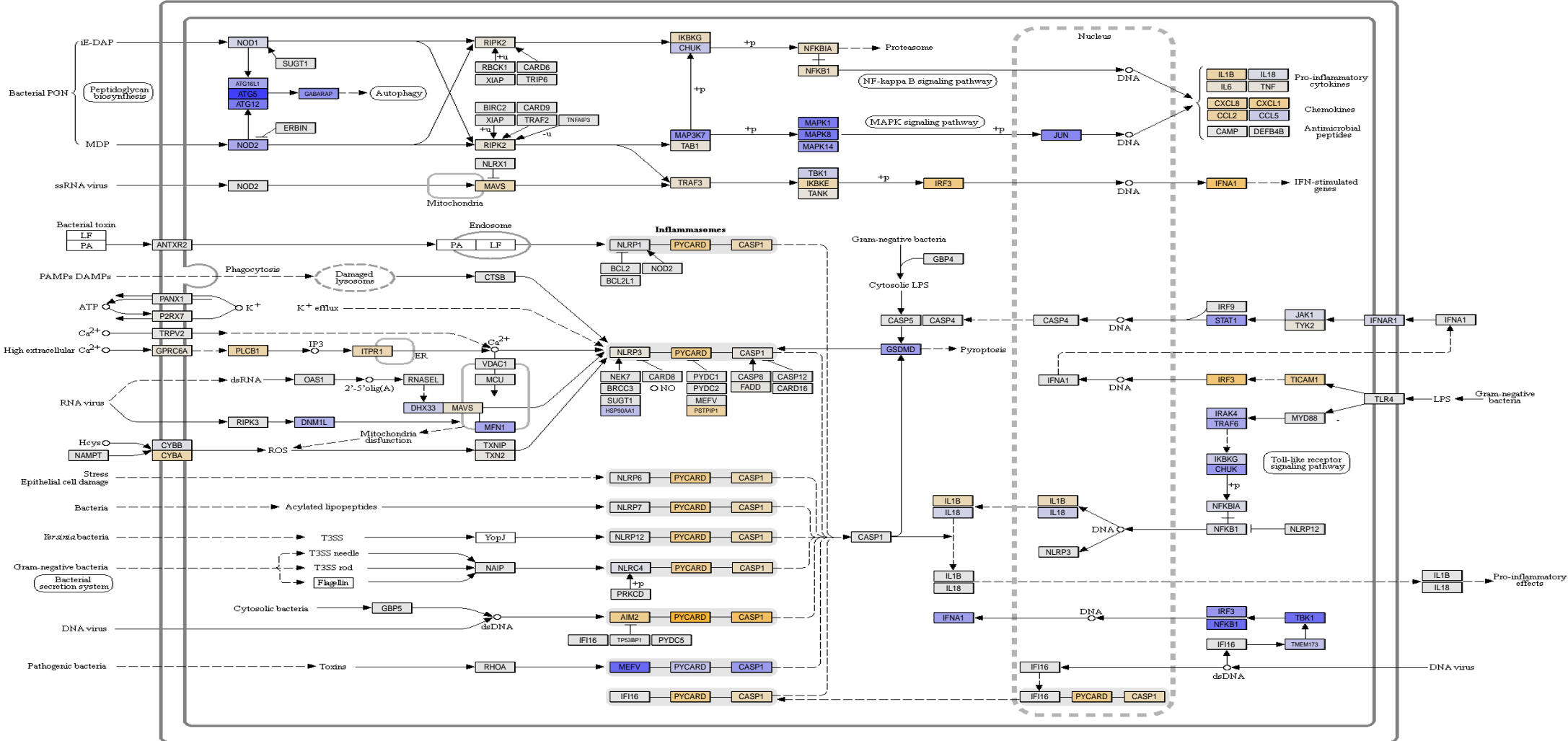
NOD_like_receptor_signaling_pathway_group 4



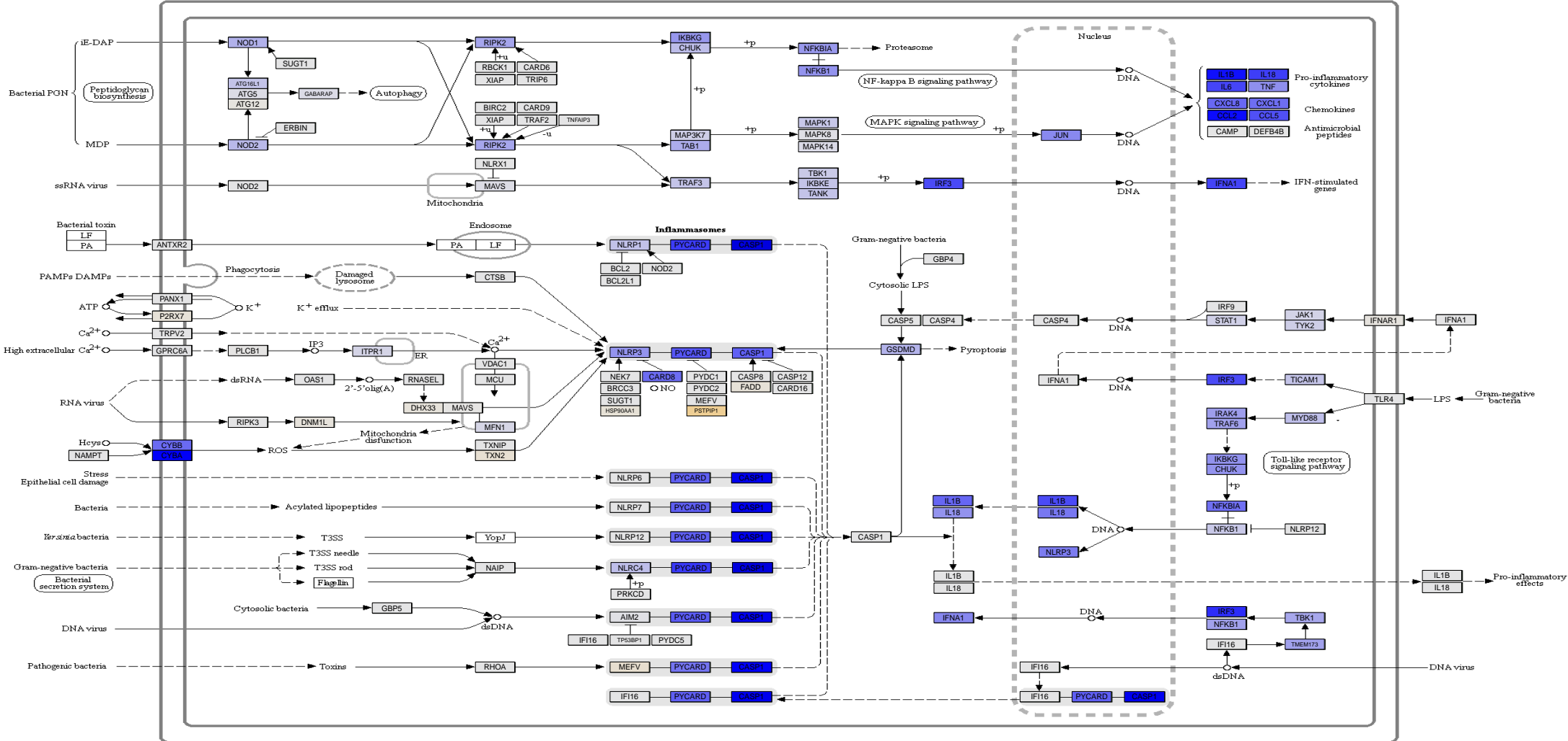
NOD_like_receptor_signaling_pathway_group 5



NOD_like_receptor_signaling_pathway_group 6



NOD_like_receptor_signaling_pathway group 7



NOD_like_receptor_signaling_pathway_group 8

